



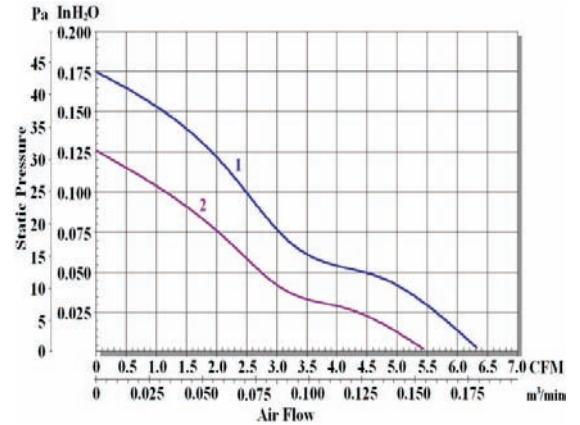
40x40x10mm

AD40-10T Series

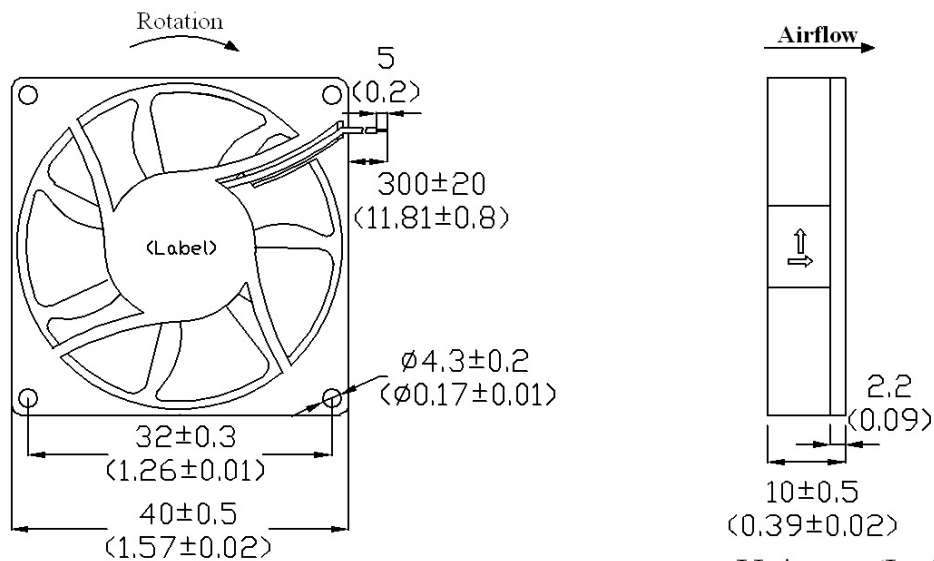
DC Axial Fan

Specification:

- **Air Flow** : 5.4 ~ 6.3 CFM
- **Housing** : Thermoplastic PBT, UL94V-0
- **Impeller** : Thermoplastic PBT, UL94V-0
- **Bearing** : Ball or Sleeve
- **Termination** : Lead Wire UL2468 AWG#26 or Equivalent
Red Wire Positive (+); Black Wire Negative (-);
Yellow Wire Function (3)
- **Operating Temperature** : -10°C to + 70°C for Sleeve Type
-20°C to + 80°C for Ball Type
- **Weight** : 13.7g
- **Function** : *Function type is optional*
P: Protection (Automatic restart when lock up removed)
A: Alarm
I: Inspect



Outline Dimension



Unit:mm(Inch)

Item Code	Rated Voltage	Rated Current (A)	Input Power (W)	Speed RPM	Max. Air Flow		Noise dB(A)
					CFM	m ³ /min	
AD05V40-10T-FPH-B7-N1	5V	0.18	0.9	7000	6.3	0.18	31
AD05V40-10T-FPH-B7-N2	5V	0.14	0.7	6000	5.4	0.15	26
AD12V40-10T-FPH-B7-N1	12V	0.10	1.2	7000	6.3	0.18	31
AD12V40-10T-FPH-B7-N2	12V	0.09	1.1	6000	5.4	0.15	26
AD24V40-10T-FPH-B7-N1	24V	0.06	1.4	7000	6.3	0.18	31