



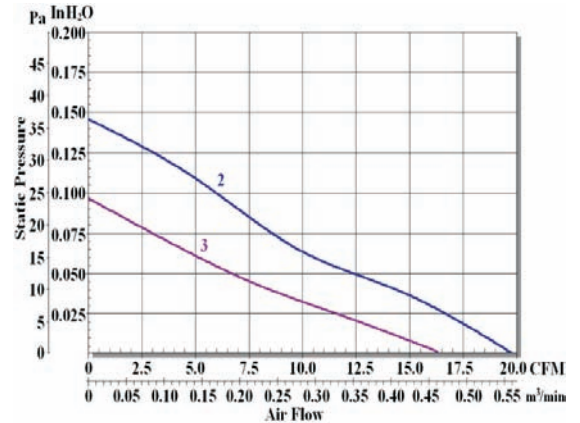
60x60x25mm

AD60-25T Series

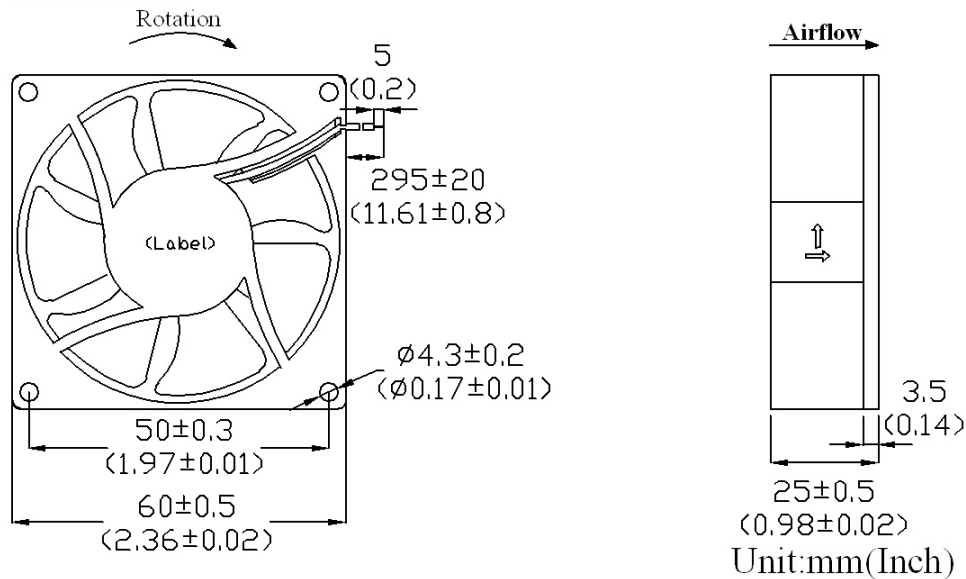
DC Axial Fan

Specification:

- **Air Flow** : 16 ~ 20 CFM
- **Housing** : Thermoplastic PBT, UL94V-0
- **Impeller** : Thermoplastic PBT, UL94V-0
- **Bearing** : Ball or Sleeve
- **Termination** : Lead Wire UL2468 AWG#26 or Equivalent
Red Wire Positive (+); Black Wire Negative (-);
Yellow Wire Function (3)
- **Operating Temperature** : -10°C to + 70°C for Sleeve Type
-20°C to + 80°C for Ball Type
- **Weight** : 49g
- **Function** : *Function type is optional*
P: Protection (Automatic restart when lock up removed)
A: Alarm
I: Inspect



Outline Dimension



Item Code	Rated Voltage	Rated Current (A)	Input Power (W)	Speed RPM	Max. Air Flow		Noise dB(A)
					CFM	m ³ /min	
AD12V60-25T-FPH-B7-N2	12V	0.12	1.5	4300	20	0.56	35
AD12V60-25T-FPH-B7-N3	12V	0.08	1.0	3500	16	0.46	28
AD24V60-25T-FPH-B7-N2	24V	0.07	1.7	4300	20	0.56	35
AD24V60-25T-FPH-B7-N3	24V	0.04	1.0	3500	16	0.46	28